

## EU DECLARATION OF CONFORMITY

1. No (ZML-01) Zuma Luminaire
2. Name and address of the manufacturer or his authorised representative: Zuma Array Limited, 5 Garden Walk, London, EC2A 3EQ, UK
3. This declaration of conformity is issued under the sole responsibility of the manufacturer (or installer): Zuma Array Limited, 5 Garden Walk, London, EC2A 3EQ, UK
4. Object of the declaration: Zuma Luminaire, an integrated ceiling light, controllable via wifi.



5. The object of the declaration described in point 4 conforms with the relevant Union harmonisation legislation:
  - IEC 60598-2-2:2011
  - IEC 60598-1:2014
  - IEC 62471
  - EN 55032:2015+A11:2020 Class B
  - BS EN 55032:2015+A11:2020 Class B
  - EN IEC 6100-3-2:2019 Class C
  - BS EN IEX 6100-3-2:2019 Class C
  - EN 61000-3-3:2013+A1:2019
  - BS EN 61000-3-3:2013+A1:2019
  - EN 55025:2017+A11:2020

- BS EN 55025:2017+A11:2020
- ETSI EN 301489-1 V2.2.3 (2019-11)
- ETSI EN 301489-17 V3.2.4 (2020-09)
- EN 300 328 V2.2.2
- EN 301 489 V2.2.3
- EN 62368-1:2014+A11:2017
- EN 62311:2008

6. Certificate details:

- TuV SuD – report 85-210452501-000
  - IEC 60598-2-2:2011
  - IEC 60598-1:2014
- BTL Inc. Report for all below: BTL-EMC-1-2112T027
  - EN 55032:2015+A11:2020 Class B
  - BS EN 55032:2015+A11:2020 Class B
  - EN IEC 6100-3-2:20-19 Class C
  - BS EN IEX 6100-3-2:2019 Class C
  - EN 61000-3-3:2013+A1:2019
  - BS EN 61000-3-3:2013+A1:2019
  - EN 55025:2017+A11:2020
  - BS EN 55025:2017+A11:2020
- BTL Inc: Report for all below: BTL-ETSE-1-2112T027
  - ETSI EN 301489-1 V2.2.3 (2019-11)
  - ETSI EN 301489-17 V3.2.4 (2020-09)
- BAACL, Kunshan
  - EN 300 328 V2.2.2: RSHD200525001-01A/01B/01C
  - EN 301 489 V2.2.3: RSHD200525004-2
  - EN 62368-1:2014+A11:2017: RSHD200525004-SF
  - EN 62311:2008: RSHD200525004-01D

7. Additional information:

The unit must be used with the dedicated power supply as provided by Zuma. A separate EU declaration of conformity is available upon request for this.

## STATEMENT OF COMPLIANCE

1. The object of the statement described above complies with the applicable security requirements in Schedule 1 of S.I. 2023 No. 1007 (Product Security)
2. Defined support period for security updates: 4 years from the last ship from Zuma to authorised resellers and/or distributors.

Signed for and on behalf of Zuma Array Limited

5 Garden Walk, London, EC2A 3EQ, UK.

22.04.2024

Morten V. Warren

CEO

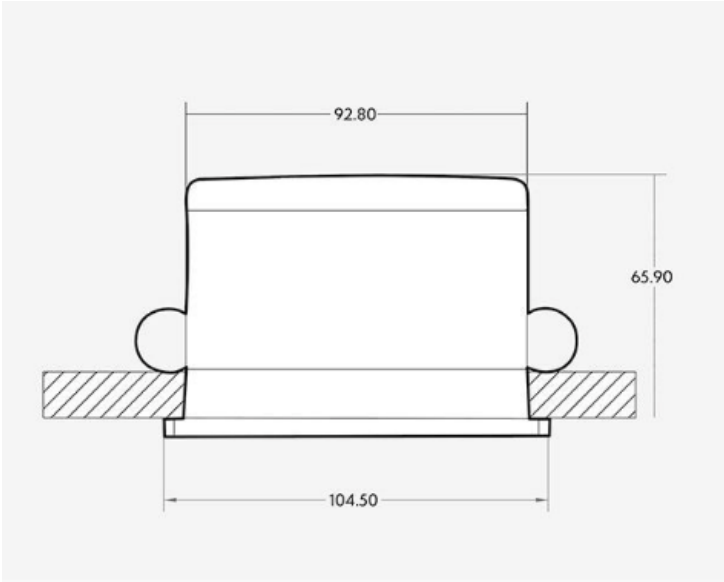
A handwritten signature in black ink, consisting of several overlapping loops and a long horizontal tail extending to the right.

Technical Specification

# Zuma Luminaire - Light

Tuneable dimmable light with 1000 shades

Beam angle:	52° FWHM
Light source:	LED package STW9C2PB
Colour temperature range:	2800k – 4800k
Lumen:	530lm
<b>Connectivity</b>	<b>Zuma App or Voice</b>
Connects with:	Wi-Fi & Alexa
Control:	Zuma mobile app, and by voice with Alexa



ZML-01 (Luminaire) Weight 0.5Kg  
LOPSU-01 (Luminaire PSU) Weight 0.3Kg

HS code = 9405.10.00.00  
HS code = 8504.40.99.00